



5-Way Power Dividers/Combiners

FEATURES

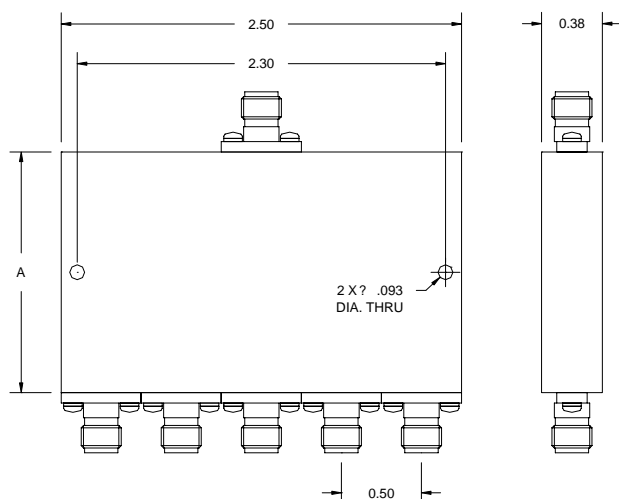
- ❖ Low Insertion Loss
- ❖ Low VSWR
- ❖ High Isolation
- ❖ Low Profile
- ❖ Excellent Amplitude Tracking
- ❖ Excellent Phase Tracking
- ❖ High Power Handling
- ❖ Wide Operating Temperature Range

SPECIFICATIONS

5-Way Power Dividers/Combiners													
Model Number	Freq (GHz)	Isolation (dB)		Insertion Loss (dB)		Amplitude Balance (dB rms) (Max)	Phase Balance (° rms) (Max)	VSWR				Input Power (Watt)	Outline Figure
		Typ	Min	Typ	Max			Input		Output			
								Typ	Max	Typ	Max		
Octave-Band													
5DE-0D75	0.5-1.0	22	20	0.6	0.8	0.2	2	1.25:1	1.35:1	1.20:1	1.30:1	30	7
5DE-1D50	1.0-2.0	22	20	0.7	0.9	0.2	2	1.25:1	1.35:1	1.20:1	1.30:1	30	6
5DE-2D25	1.5-3.0	21	19	0.8	1.0	0.2	2	1.25:1	1.35:1	1.20:1	1.30:1	30	5
5DE-3D00	2-4	20	18	0.8	1.0	0.25	3	1.35:1	1.45:1	1.30:1	1.40:1	30	5
5DE-6D00	4-8	18	16	1.2	1.4	0.35	3.5	1.40:1	1.50:1	1.30:1	1.40:1	30	3
5DE-9D00	6-12	18	16	1.4	1.6	0.4	4	1.40:1	1.50:1	1.35:1	1.45:1	30	2
Specific Application Band													
5DY-0D85	0.8-0.9	23	21	0.6	0.8	0.1	1	1.20:1	1.25:1	1.15:1	1.20:1	15	6
5DY-1D90	1.8-2.0	22	20	0.6	0.8	0.1	1	1.20:1	1.25:1	1.15:1	1.20:1	15	4
5DY-5D65	5.4-5.9	21	19	0.8	1.0	0.15	2	1.25:1	1.35:1	1.20:1	1.30:1	15	1
5DY-13D00	12.7-13.3	21	19	1.2	1.4	0.2	2.5	1.30:1	1.40:1	1.25:1	1.35:1	10	1
5DY-14D25	14-14.5	20	18	1.2	1.4	0.2	2.5	1.30:1	1.40:1	1.25:1	1.35:1	8	1
5DY-20D70	20.2-21.2	18	16	1.8	2.0	0.3	4	1.40:1	1.50:1	1.30:1	1.40:1	8	1
5DY-38D30	37-39.6	16	14	2.4	2.6	0.4	6	1.50:1	1.60:1	1.40:1	1.50:1	5	1

Note 1. Input power rate is at the condition when all the outputs are connected to the loads with 1:25:1 or better VSWR at any phase difference. Higher power rate is available on request.

Note 2. Standard connectors are SMA for frequency up to 18 GHz, supper SMA for frequency up to 27 GHz and 2.92 mm for frequency up to 40 GHz. Other connector options are available on request.



Outline	
Figure	A (inch)
1	1.0
2	1.4
3	1.7
4	2.0
5	3.0
6	3.5
7	5.5