



Broadband SPDT

FEATURES

- ❖ Low Insertion Loss
- ❖ Low VSWR
- ❖ High Isolation
- ❖ TTL Compatible Logic
- ❖ Miniaturized Package Available
- ❖ Wide Operating Temperature Range

SPECIFICATIONS

Broadband SPDT							
Model Number	Frequency Range (GHz)	Insertion Loss (dB)	Isolation (dB)	Speed (ns)	VSWR	Type (R/S)	Outline Figure
S2A011-80T1000	0.1-1	0.9	80	1000	1.4:1	A	1
S2A052-80T100	0.5-2	1.2	80	100	1.4:1	A	1
S2A073-80T100	0.7-3	1.2	80	100	1.4:1	A	1
S2A12-80T100	1-2	1.0	80	100	1.4:1	A	1
S2A14-80T100	1-4	1.2	80	100	1.5:1	A	1
S2A28-80T100	2-8	1.5	80	100	1.6:1	A	2
S2R218-60T20	2-18	2.1	60	20	1.9:1	R	3
S2A48-80T2000	4-8	1.4	80	2000	1.5:1	A	2
S2A510-80T100	5-10	1.8	80	100	1.6:1	A	2
S2A612-80T100	6-12	2.5	80	100	1.9:1	A	2
S2A618-60T100	6-18	2.9	80	100	1.9:1	A	4
S2R627-60T100	6-27	3.8	60	100	2.1:1	R	4
S2R1840-50T100	18-40	4.5	50	100	3.2:1	R	4

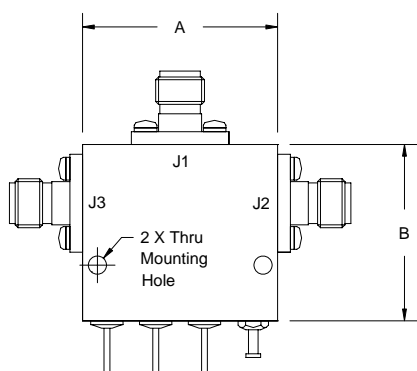
Note 1. Type R is for Reflective switches and type A is for Absorptive switches.

Note 2. DC requirement: ± 5 V at 100 mA

Note 3. Miniaturized or customer outline package available on request.

Note 4. Other customer electrical specification available on request.

Note 5. TTL compatible logic control, Logic "0" J1-J2 on, "1" J1-J3 on.



Outline			
Figure	A (inch)	B (inch)	C (inch)
1	1.6	1.1	0.7
2	1.8	1.2	0.6
3	1.6	1.1	0.5
4	1.6	1.0	0.5

