



Narrow Band SPST

FEATURES

- ❖ Low Insertion Loss
- ❖ Low VSWR
- ❖ High Isolation
- ❖ TTL Compatible Logic
- ❖ Miniaturized Package Available
- ❖ Wide Operating Temperature Range

SPECIFICATIONS

Narrow Band SPST							
Model Number	Frequency Range (GHz)	Insertion Loss (dB)	Isolation (dB)	Speed (ns)	VSWR	Type (R/S)	Outline Figure
S1A0809-100T100	0.8-0.9	0.7	100	100	1.3:1	A	1
S1A56-100T100	5-6	1.1	100	100	1.4:1	A	2
S1A1011-90T20	10-11	1.3	90	20	1.4:1	A	3
S1A1415-90T100	14-15	2.2	90	100	1.5:1	A	3
S1R2022-80T100	20-22	3.0	80	100	1.6:1	R	4
S1R2931-60T100	29-31	3.3	60	100	1.8:1	R	4
S1R3740-50T100	37-40	3.8	50	100	2.0:1	R	4

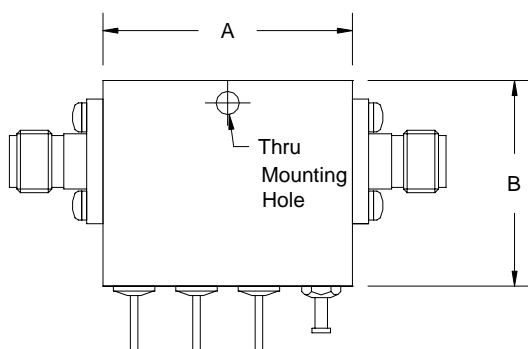
Note 1. Type R is for Reflective switches and type A is for Absorptive switches.

Note 2. DC requirement: ± 5 V at 75 mA

Note 3. Miniaturized or customer outline package available on request.

Note 4. Customer electrical specification available on request.

Note 5. TTL compatible logic control, Logic "0" enables thru pass.



Outline			
Figure	A (inch)	B (inch)	C (inch)
1	1.2	1.2	0.7
2	1.2	1.0	0.6
3	1.0	1.0	0.6
4	0.9	0.8	0.5

