



Surface Mounted Power Dividers/Combiners

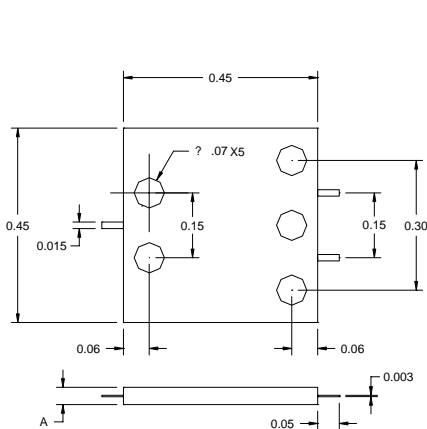
FEATURES

- ❖ Low Insertion Loss
- ❖ Low VSWR
- ❖ High Isolation
- ❖ Very small size
- ❖ Excellent Amplitude Tracking
- ❖ Excellent Phase Tracking
- ❖ Surface Mounted
- ❖ Wide Operating Temperature Range

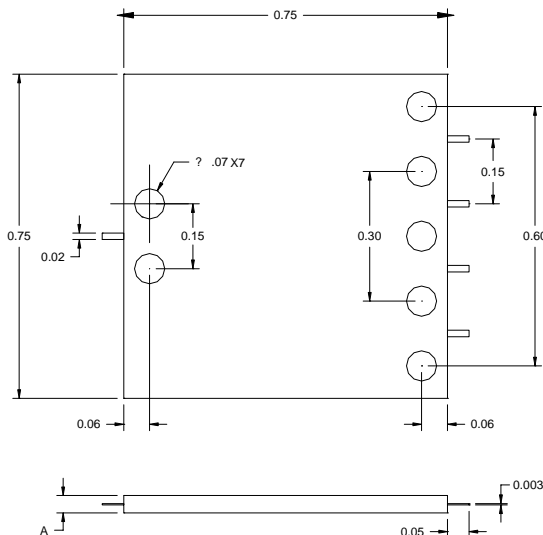
SPECIFICATIONS

| Surface Mounted Power Dividers/Combiners | | | | | | | | | | | | |
|--|------------|----------------|-----|---------------------|-----|-------------------------------|----------------------------|--------|--------|--------|--------|--------------------|
| Model Number | Freq (GHz) | Isolation (dB) | | Insertion Loss (dB) | | Amplitude Balance (±dB) (Max) | Phase Balance (±deg) (Max) | VSWR | | | | Input Power (Watt) |
| | | Typ | Min | Typ | Max | | | Input | | Output | | |
| | | | | | | | | Typ | Max | Typ | Max | |
| 2-Way Power Dividers/Combiners | | | | | | | | | | | | |
| 2DY-0D835T | 0.82-0.85 | 25 | 22 | 0.15 | 0.3 | 0.1 | 1 | 1.15:1 | 1.25:1 | 1.15:1 | 1.25:1 | 5 |
| 2DY-1D88T | 1.85-1.91 | 25 | 22 | 0.2 | 0.3 | 0.1 | 1 | 1.15:1 | 1.25:1 | 1.15:1 | 1.25:1 | 5 |
| 2DY-5D65 | 5.4-5.9 | 23 | 20 | 0.3 | 0.5 | 0.1 | 1 | 1.25:1 | 1.35:1 | 1.20:1 | 1.30:1 | 5 |
| 2DY-9D75 | 9.5-10 | 23 | 20 | 0.35 | 0.6 | 0.15 | 2 | 1.25:1 | 1.35:1 | 1.20:1 | 1.30:1 | 5 |
| 2DY-14D25 | 14-14.5 | 22 | 19 | 0.4 | 0.6 | 0.15 | 2.5 | 1.35:1 | 1.45:1 | 1.30:1 | 1.40:1 | 5 |
| 4-Way Power Dividers/Combiners | | | | | | | | | | | | |
| 4DY-0D835T | 0.82-0.85 | 25 | 22 | 0.3 | 0.5 | 0.1 | 1 | 1.15:1 | 1.25:1 | 1.15:1 | 1.25:1 | 5 |
| 4DY-1D88T | 1.85-1.91 | 25 | 22 | 0.4 | 0.6 | 0.1 | 1 | 1.15:1 | 1.25:1 | 1.15:1 | 1.25:1 | 5 |
| 4DY-5D65 | 5.4-5.9 | 23 | 20 | 0.6 | 0.8 | 0.1 | 1.5 | 1.25:1 | 1.35:1 | 1.20:1 | 1.30:1 | 5 |
| 4DY-9D75 | 9.5-10 | 23 | 20 | 0.7 | 0.9 | 0.15 | 2.5 | 1.30:1 | 1.40:1 | 1.25:1 | 1.35:1 | 5 |
| 4DY-14D25 | 14-14.5 | 22 | 19 | 0.8 | 1.0 | 0.15 | 3 | 1.40:1 | 1.50:1 | 1.30:1 | 1.40:1 | 5 |

Note 1. Input power rate is at the condition when all the outputs are connected to the loads with 1:25:1 or better VSWR at any phase difference. Higher power rate is available on request.



2-Way Power Dividers



4-Way Power Dividers

Notes: A is 0.1 for 2DY-0D835T and 4DY-0D835T and 0.04 for all the rest models