



## Narrow Band SPDT

### FEATURES

- ❖ Low Insertion Loss
- ❖ Low VSWR
- ❖ High Isolation
- ❖ TTL Compatible Logic
- ❖ Miniaturized Package Available
- ❖ Wide Operating Temperature Range

### SPECIFICATIONS

Narrow Band SPDT							
Model Number	Frequency Range (GHz)	Insertion Loss (dB)	Isolation (dB)	Speed (ns)	VSWR	Type (R/S)	Outline Figure
S2A0809-100T100	0.8-0.9	0.7	100	100	1.3:1	A	1
S2A56-100T100	5-6	1.1	100	100	1.4:1	A	2
S2A1011-90T20	10-11	1.4	90	20	1.5:1	A	3
S2A1415-90T100	14-15	2.3	90	100	1.6:1	A	3
S2R2022-80T100	20-22	3.2	80	100	1.7:1	R	4
S2R2931-60T100	29-31	3.5	60	100	1.9:1	R	4
S2R3740-50T100	37-40	4.0	50	100	2.1:1	R	4

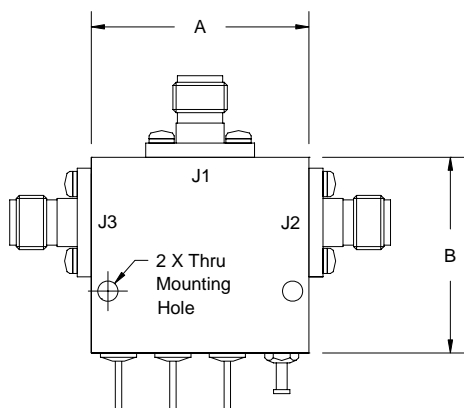
Note 1. Type R is for Reflective switches and type A is for Absorptive switches.

Note 2. DC requirement:  $\pm 5$  V at 100 mA

Note 3. Miniaturized or customer outline package available on request.

Note 4. Other customer electrical specification available on request.

Note 5. TTL compatible logic control, Logic "0" J1-J2 on, "1" J1-J3 on.



Outline			
Figure	A (inch)	B (inch)	C (inch)
1	2.4	1.2	0.7
2	1.8	1.0	0.6
3	1.6	1.0	0.6
4	1.6	0.8	0.5

