



Ultra Broadband SPDT

FEATURES

- ❖ Low Insertion Loss
- ❖ Low VSWR
- ❖ High Isolation
- ❖ TTL Compatible Logic
- ❖ Miniaturized Package Available
- ❖ Wide Operating Temperature Range

SPECIFICATIONS

Ultra Broadband SPDT						
Model Number	Frequency Range (GHz)	Insertion Loss (dB)	Isolation (dB)	Speed (ns)	VSWR	Type (R/S)
S2R0120-45T100	0.1-20	2.8	45	100	2.2:1	R
S2A0120-45T100	0.1-20	3.8	40	100	2.2:1	A
S2R0518-50T20	0.5-18	2.5	50	20	1.9:1	R
S2A0518-50T20	0.5-18	3.4	45	20	2.0:1	A

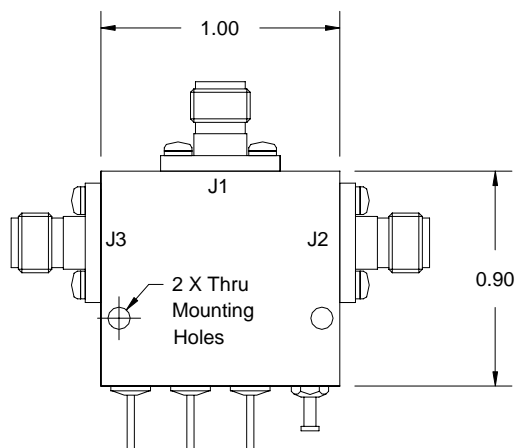
Note 1. Type R is for Reflective switches and type A is for Absorptive switches.

Note 2. DC requirement: ± 5 V at ± 100 mA

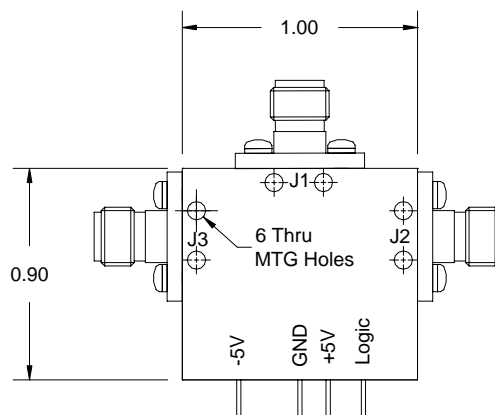
Note 3. Miniaturized package is SMA connector removable.

Note 4. Customer outline package and electrical specifications available on request.

Note 5. TTL compatible logic control, Logic "0" J1-J2 on, "1" J1-J3 on.



Standard SMA Package



Drop-in Removable Connectors Miniaturized Package

