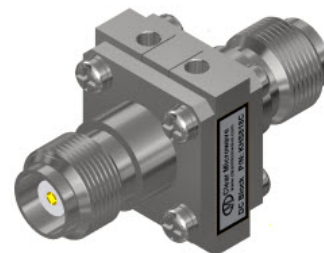




KGK508C 5 KHz – 8 GHz TNC Connector DC Block

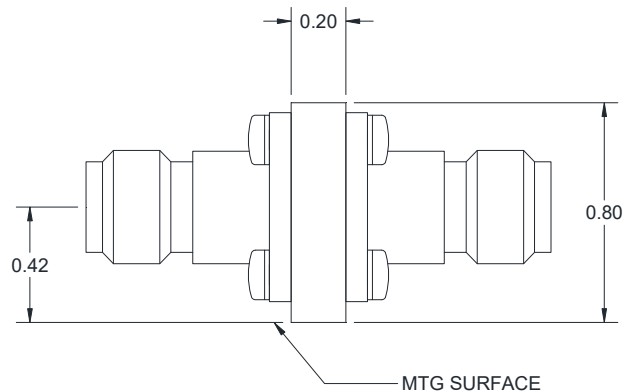
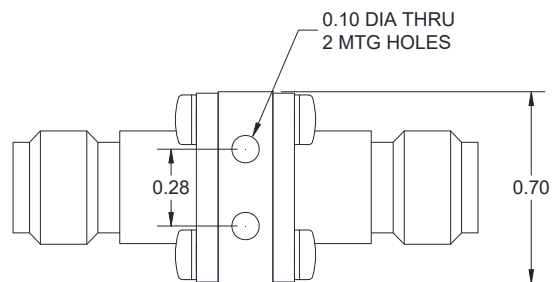
FEATURES

- ❖ Low VSWR
- ❖ Low Insertion Loss
- ❖ Broadband Coverage
- ❖ Mounting Hole Available



SPECIFICATIONS

5 KHz – 8 GHz TNC Connector DC Block	
Model Number	KGK508C
Frequency Range	5 KHz – 8 GHz
Insertion Loss	0.30 dB Typ., 0.50 dB Max.
Input VSWR	1.15:1 Typ., 1.25:1 Max.
Output VSWR	1.15:1 Typ., 1.25:1 Max.
RF Power Handling	2 Watt CW Max.
DC Voltage Handling	25 V
Impedance	50Ω Nom.
Connector Type	TNC



Design to meet the following environmental ratings:
(verification optional)

1. Operating Temp: -55°C to +85°C
2. Storage Temp: -65°C to +125°C
3. Shock: MIL-STD-202F, M213, Cond B
4. Altitude: MIL-STD-202F, M105, Cond B
5. Vibration: MIL-STD-202F, M204, Cond B
6. Thermal Shock: MIL-STD-202F, M107, Cond A
7. Temp. Cycle: MIL-STD-202F, M105C, Cond D

Standard Finishing: Rugged Aluminum Housing.
Optional finishing with blue epoxy paint per MIL-C-22750 available on request, meeting the humidity specification MIL-STD-202F, M103, Cond B

Note:

1. Inner type DC Block
2. Standard connector is TNC female
3. Part number for different TNC combination is as follow
Add "M" suffix for TNC male to male
Add "MF" suffix for TNC male to female
4. RF power handling is tested at 2 GHz under the condition that the unit is mounted with excellent heat sink