



ATS2XX-YY 2W SMA Precision Fixed Attenuator

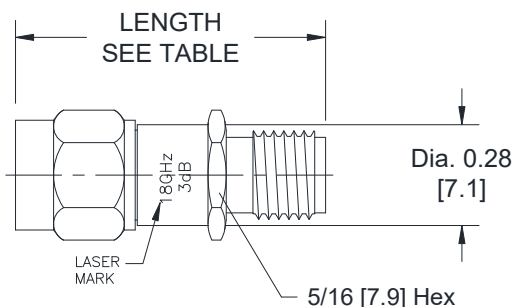
FEATURES

- ❖ Excellent VSWR
- ❖ Low Insertion Loss
- ❖ Precise attenuation
- ❖ Stainless steel passivated body
- ❖ Covers DC to 18 GHz frequency range



SPECIFICATIONS

2W SMA Precision Fixed Attenuator	
Model Number	ATS2XX-YY, XX Standard Freq. Value, YY Standard Attenuation
Standard Freq. Value (XX)	2.5, 4, 6, 12.4, 18 GHz (i.e. XX=25, 4, 6, 12, 18)
Standard Attenuation Value (YY)	0 – 10 (in 1 dB increments), 12, 15, 20, 30 (i.e. YY=01, 02, ... ,10, 15, 20, 30)
Attenuation Accuracy (DC-18 GHz)	±0.3 dB (0 – 6 dB), ±0.5 dB (7 – 20 dB), ±0.75 dB (21 – 30 dB)
VSWR	1.15:1 (DC-4 GHz), 1.20:1 (4-8 GHz), 1.25:1 (8-12.4 GHz), 1.35:1 (12.4-18 GHz)
Input Power	2 Watts Avg. @ 25°C (Derated linearly to 0.5 Watts @ 125°C)
Peak Power	250 Watts @ 25°C (5 µs pulse, 0.05% duty cycle)
Impedance	50 Ω
Connector Center PIN	Beryllium copper, Gold plated
Connector Housing	Passivated Stainless Steel
Operating Temperature	-55°C to +125°C
Length	0 – 12 dB: 0.86±0.3 inches, 13 – 30 dB: 0.99±0.3 inches



Note:

1. Connector interface in accordance with MIL-STD-348 and MIL-PRF-39012
2. RoHS compliant
3. Model Number Examples:
 - ATS225-01: DC-2.5 GHz, 1 dB
 - ATS225-03: DC-2.5 GHz, 3 dB
 - ATS225-10: DC-2.5 GHz, 10 dB
 - ATS225-12: DC-2.5 GHz, 12 dB
 - ATS225-15: DC-2.5 GHz, 15 dB
 - ATS225-20: DC-2.5 GHz, 20 dB
 - ATS225-30: DC-2.5 GHz, 30 dB
 - ATS206-03: DC-6 GHz, 3 dB
 - ATS206-10: DC-6 GHz, 10 dB
 - ATS206-20: DC-6 GHz, 20 dB
 - ATS212-10: DC-12.4 GHz, 10 dB
 - ATS212-20: DC-12.4 GHz, 20 dB
 - ATS212-30: DC-12.4 GHz, 30 dB
 - ATS218-03: DC-18 GHz, 3 dB
 - ATS218-10: DC-18 GHz, 10 dB
 - ATS218-12: DC-18 GHz, 12 dB
 - ATS218-15: DC-18 GHz, 15 dB
 - ATS218-20: DC-18 GHz, 20 dB
 - ATS218-30: DC-18 GHz, 30 dB