



BCV218 25 MHz – 18 GHz Bias Tee

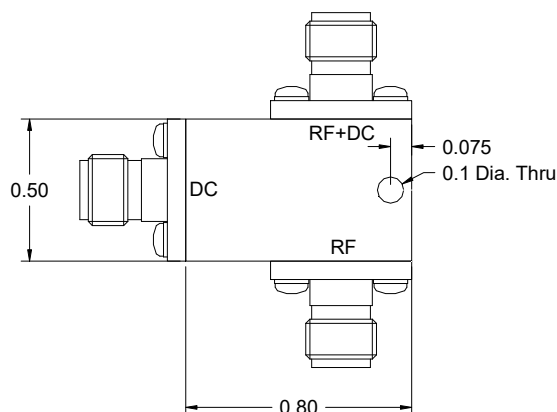
FEATURES

- ❖ High DC Voltage
- ❖ Low Insertion Loss
- ❖ Low VSWR
- ❖ Small Package



SPECIFICATIONS

25 MHz – 18 GHz Bias Tee	
Model Number	BCV218
Frequency Range	25 MHz – 18 GHz
DC Current	2.0 A Max.
DC Voltage	500 V
Insertion Loss	1.6 dB Typ., 1.9 dB Max.
RF Port VSWR	1.45:1 Typ., 1.55:1 Max.
RF+DC Port VSWR	1.45:1 Typ., 1.55:1 Max.
RF to DC Isolation	40 dB Typ., 30 dB Min.
RF Power Handling	5 Watt CW Min.
Impedance	50Ω Nom.
Connector Type	SMA (other connector available on request)



Design to meet the following environmental ratings:
(verification optional)

1. Operating Temp: -55°C to +85°C
2. Storage Temp: -65°C to +125°C
3. Shock: MIL-STD-202F, M213, Cond B
4. Altitude: MIL-STD-202F, M105, Cond B
5. Vibration: MIL-STD-202F, M204, Cond B
6. Thermal Shock: MIL-STD-202F, M107, Cond A
7. Temp. Cycle: MIL-STD-202F, M105C, Cond D
8. Humidity: MIL-STD-202F, M103, Cond B
(Optional with Hysol seal)

Standard Finishing: Rugged Aluminum Housing.
Optional finishing with blue epoxy paint per MIL-C-22750 available on request.

Note:

1. Solder post at DC port available on request.
2. Standard connector is SMA female for all ports
3. Other connector combination available on request
4. Power handling is tested at 2 GHz

